



*We turn out
top quality*



ERNST HEINRICH

Fock

VG 88773 Cable Gland

The Fock cable gland has been specially developed for use by the German Navy. It complies with German military equipment norm VG 88773 and only contains a grounding insert. The grounding insert is specified in military equipment norm VG 88812 and is distinguished from the standard grounding

inserts used in other cable glands by its larger surface area. This is because the German Navy requires a greater degree of EMC protection.

The Fock is made of brass and is **only** furnished with a **chromed surface**.



Technical Data

- Connecting threads from M16 x 1.5 to M72 x 2 according to DIN 89280-1
- Special connecting threads available upon request, like PG, NPT, inch, metric, extension and reduction
- Cable diameters up to 50.5 mm (larger upon request)
- Protection ratings:
 - Above IP 44 a DIN 7603 flat sealing ring must be used
 - Up to IP 56 when assembled according to the VG 88773 norm
- The temperature resistance of the cable gland depends on the material of the flat sealing ring as well as the material used in the heat shrink tube
- Material: brass (MS58 – CuZn39Pb3)
- Surface: chrome-nickel plating
- Accessories: locknut, EMC locknut

Publication Date: September 2014 - Information subject to change

ERNST HEINRICH GmbH & Co. KG

Winsbergring 10 Telephone +49 (0)40 890 69 29 -0
22525 Hamburg Telefax +49 (0)40 890 69 29 -29
Germany

www.ihre-kabelverschraubung.de

info@ernst-heinrich.de
www.ernst-heinrich.de



GL Systems Certification



We turn out top quality



ERNST HEINRICH

Fock

VG 88773 Cable Gland

Parts List

Item No.	Name	Quantity
1	Body	1
2	Threaded Bush	1
3	Grounding Insert (inner)	1
4	Grounding Insert (outer)	1

Product Variants

Type	Thread	Cable Ø	L1	L2	AF
Fock 16	M16 x 1.5	Up to 10.5	35.0	9	17
Fock 18	M18 x 1.5	Up to 12.5	37.5	10	19
Fock 24	M24 x 1:5	Up to 16.5	39.5	11	24
Fock 30	M30 x 2.0	13.5 – 21.0	44.5	12	30
Fock 36	M36 x 2.0	17.5 – 25.5	48.5	13	36
Fock 45	M45 x 2.0	23.5 – 31.5	54.0	14	46
Fock 56	M56 x 2.0	27.0 – 40.0	57.5	15	55
Fock 72	M72 x 2.0	36.5 – 50.5	59.5	16	70

(Measurements in mm)

Materials

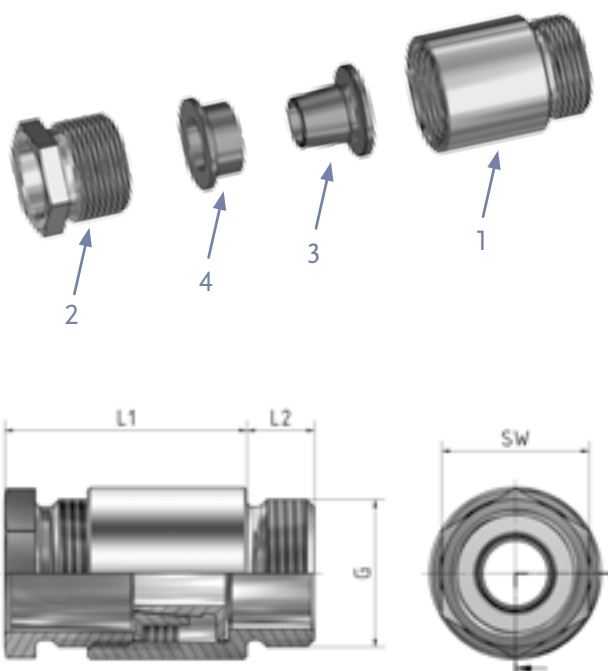
Material	Surface (optional)
----------	--------------------

Brass: CuZn39Pb3

Chrome

(Other materials upon request)

- Cable gland based on DIN 89280-1
- Cable diameters up to 50.5 mm
- Protection class: IP 56
- Grounding inserts based on VG 88812



Publication Date: September 2014 - Information subject to change

ERNST HEINRICH GmbH & Co. KG

Winsbergring 10
22525 Hamburg
Germany

Telephone +49 (0)40 890 69 29 -0
Telefax +49 (0)40 890 69 29 -29

info@ernst-heinrich.de
www.ernst-heinrich.de

www.ihre-kabelverschraubung.de



GL Systems Certification