



*We turn out
top quality*



ERNST HEINRICH

Bram

DIN 89 280 Cable Gland for Unshielded Cables

The Bram cable gland has been specially developed for the internal and external installation of unshielded cables on ships. It is built to the DIN 89 280 norm and contains two washers and a seal.

The Bram is available in a standard brass version, but can be delivered with a **chrome** or **nickel-plated surface** as well as other materials like A2/A4 steel or aluminum.



Technical Data

- Connecting threads from M16 x 1.5 to M105 x 2 according to the DIN 89 280-1 or EH norms
- Special connecting threads available upon request, like PG, NPT, inch, metric, extension and reduction
- Cable diameters up to 83.0 mm
- Protection rating: IP 56

- Temperature range: -40 to +100 °C
- Material: brass (MS58 – CuZn39Pb3), A2 steel (1.4305), A4 steel (1.4571), aluminum (AlMgSi alloys)
- Surface: brass (blank, chrome or nickel-plated)
- Accessories: locknut, EMC locknut, seal

Publication Date: September 2014 - Information subject to change

ERNST HEINRICH GmbH & Co. KG

Winsbergring 10
22525 Hamburg
Germany

Telephone +49 (0)40 890 69 29 -0
Telefax +49 (0)40 890 69 29 -29

info@ernst-heinrich.de
www.ernst-heinrich.de

www.ihre-kabelverschraubung.de



GL Systems Certification

We turn out
top quality



ERNST HEINRICH

Bram

DIN 99 280 Cable Gland for Unshielded Cables

Parts List

Item No.	Name	Quantity
1	Body	1
2	Threaded Bush	1
3	Washers	2
4	Seal	1

Product Variants

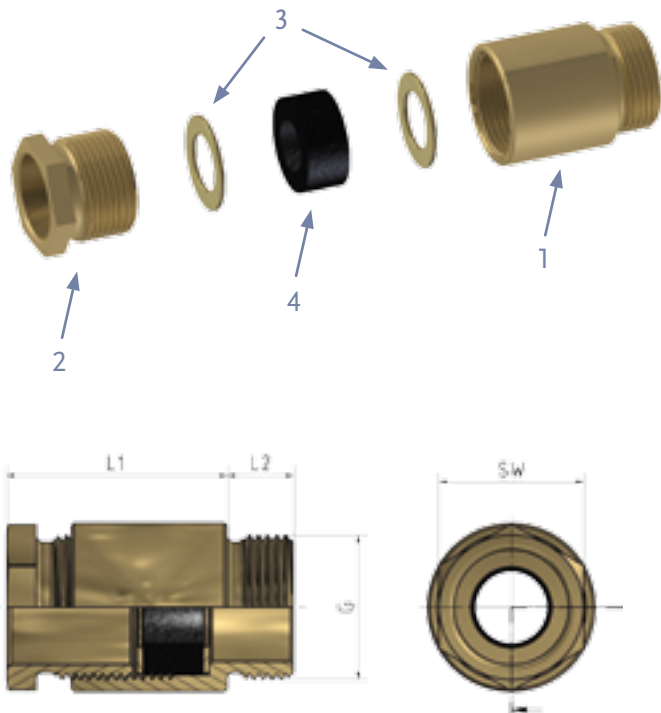
Type	Thread	Cable Ø	L1	L2	AF
Bram 16	M16 x 1.5	6.0 – 7.5	31	9	17
Bram 18	M18 x 1.5	7.0 – 10.5	33	10	19
Bram 24	M24 x 1.5	7.0 – 17.5	36	11	24
Bram 30	M30 x 2.0	13.0 – 20.5	42	12	30
Bram 36	M36 x 2.0	16.0 – 26.5	46	13	36
Bram 45	M45 x 2.0	26.0 – 32.5	50	14	46
Bram 56	M56 x 2.0	32.0 – 41.5	54	15	55
Bram 72	M72 x 2.0	41.0 – 56.5	58	16	70
Bram 80	M80 x 2.0	56.0 – 68.0	62	18	85
Bram 105	M105 x 2.0	68.0 – 83.0	76	20	105

(Measurements in mm)

Materials

Material	Surface (optional)
Brass: CuZn39Pb3	Blank, chrome or nickel-plated
A2 Steel: 1.4305	-
A4 Steel: 1.4571	-
Aluminum: AlMgSi alloy	-

(Other materials upon request)



- Cable gland based on DIN 99 280-1 or EH norms
- Cable diameters up to 83.0 mm
- Protection class: IP 56
- Equipment type: W

ERNST HEINRICH GmbH & Co. KG

Winsbergring 10 Telephone +49 (0)40 890 69 29 -0
22525 Hamburg Telefax +49 (0)40 890 69 29 -29
Germany

www.ihre-kabelverschraubung.de

info@ernst-heinrich.de
www.ernst-heinrich.de



GL Systems Certification